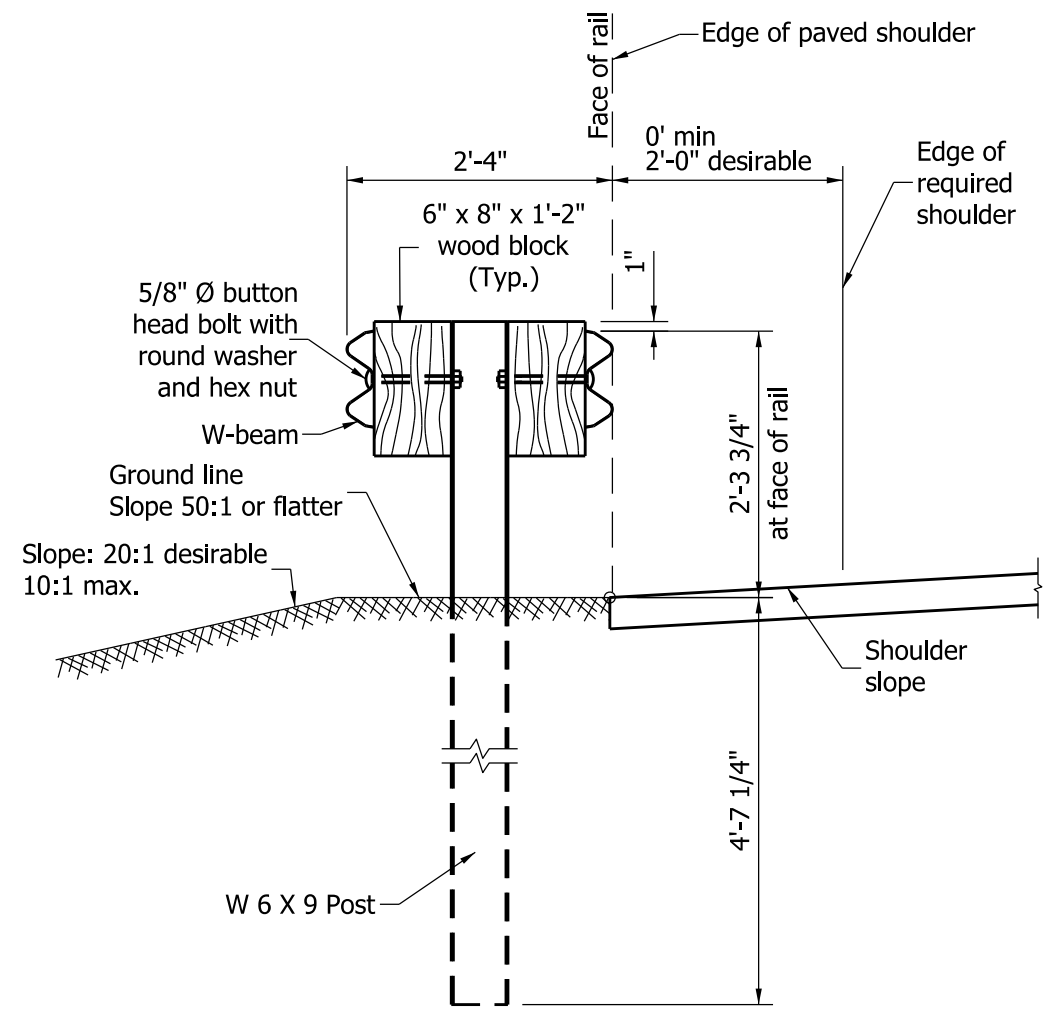
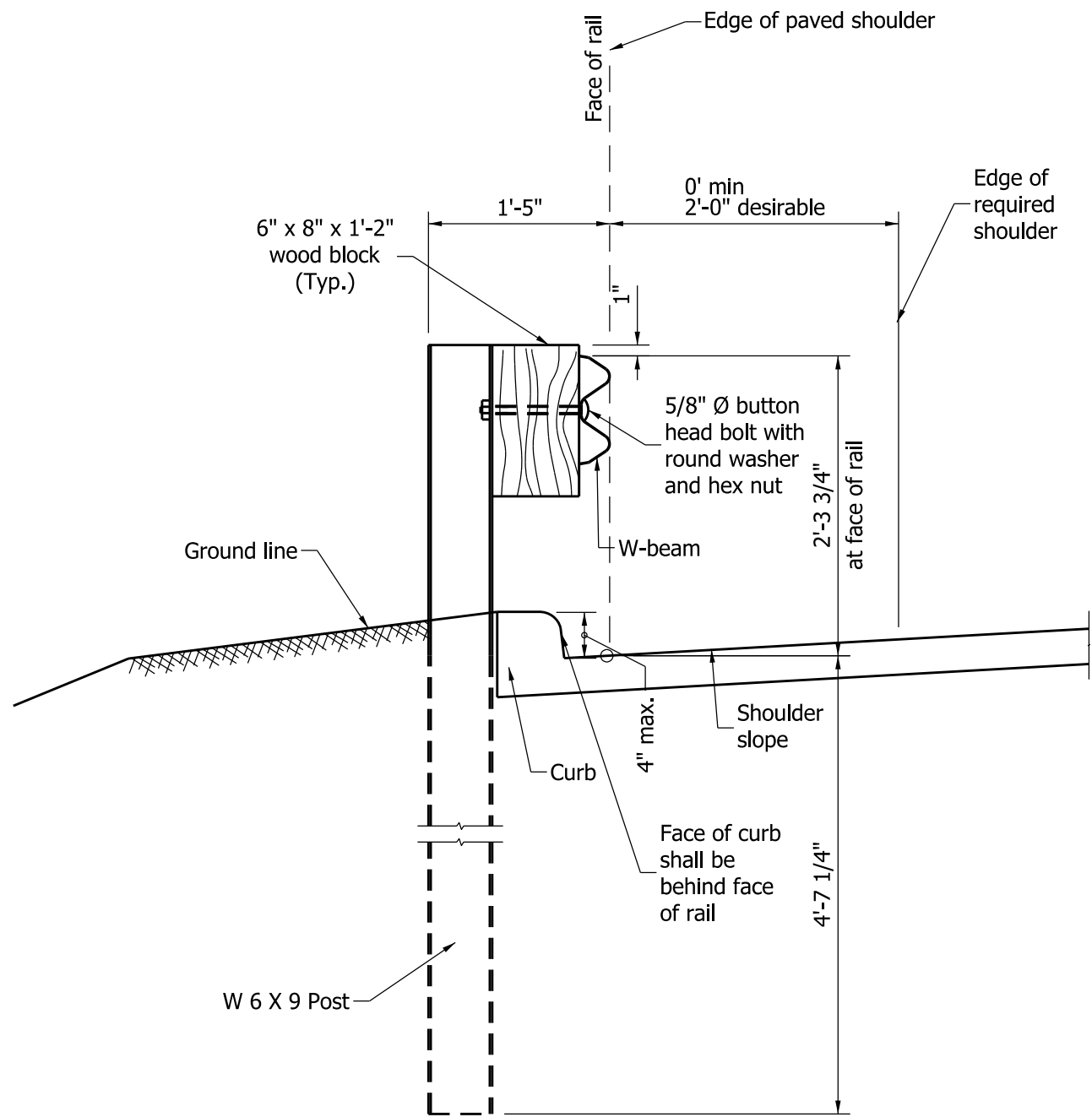


**TYPICAL W-BEAM INSTALLATION**

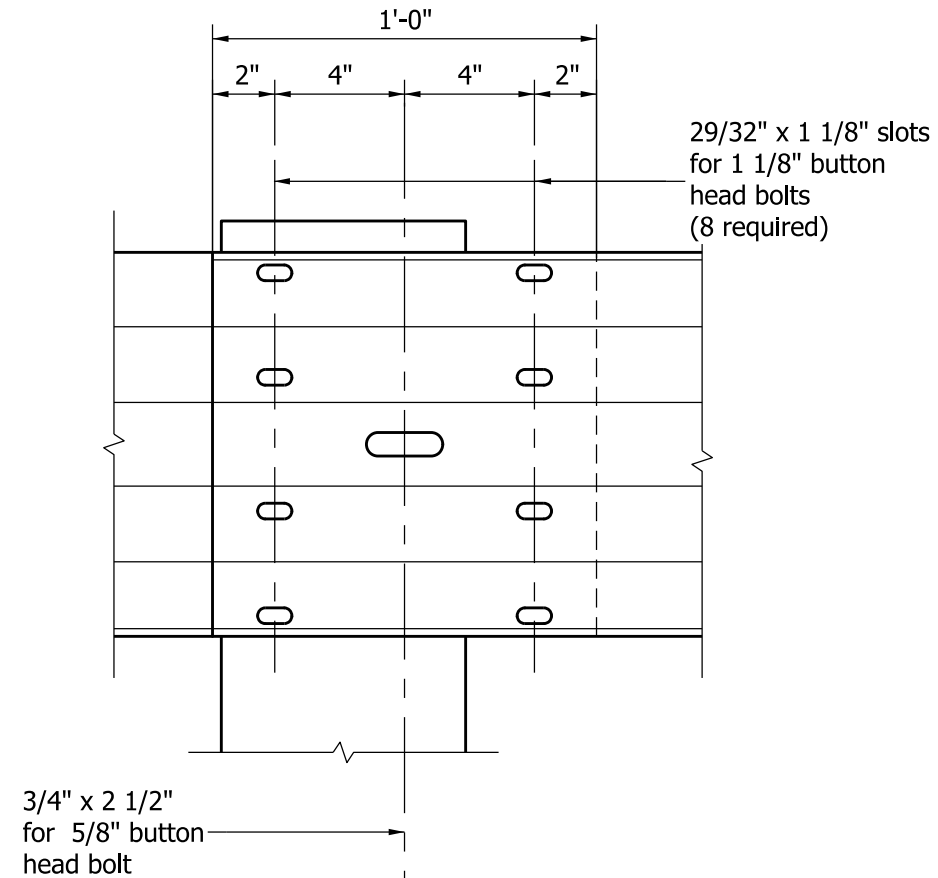


**TYPICAL DOUBLE FACED W-BEAM INSTALLATION**

INDIANA DEPARTMENT OF TRANSPORTATION	
W-BEAM GUARDRAIL ASSEMBLIES	
SEPTEMBER 2011	
STANDARD DRAWING NO.	E 601-WBGA-01
	/s/ <i>Richard L. VanCleave</i> 09/01/11
	DESIGN STANDARDS ENGINEER      DATE
DESIGN STANDARDS ENGINEER	/s/ <i>Mark A. Miller</i> 09/01/11
	CHIEF HIGHWAY ENGINEER      DATE

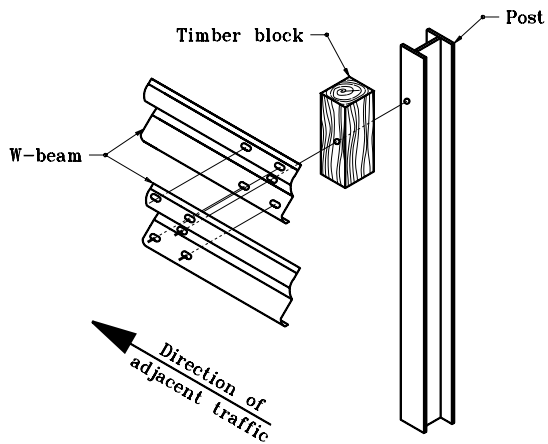


**TYPICAL W-BEAM INSTALLATION AT CURB**

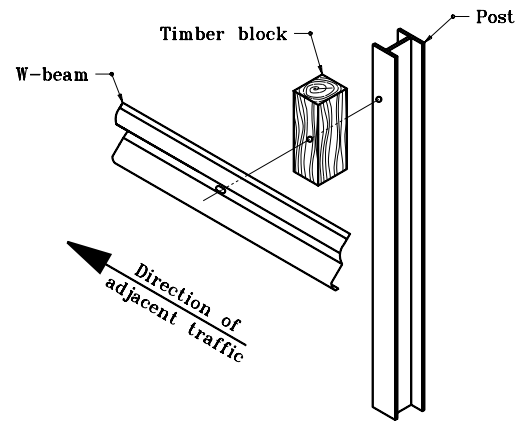


**STEEL W-BEAM SPLICE DETAIL**

INDIANA DEPARTMENT OF TRANSPORTATION	
W-BEAM GUARDRAIL ASSEMBLIES	
SEPTEMBER 2011	
STANDARD DRAWING NO.	E 601-WBGA-02
	/s/ <i>Richard L. VanCleave</i> 09/01/11
	DESIGN STANDARDS ENGINEER      DATE
DESIGN STANDARDS ENGINEER	/s/ <i>Mark A. Miller</i> 09/01/11
	CHIEF HIGHWAY ENGINEER      DATE



**W-BEAM SPLICE CONNECTION  
DETAIL AT POST**

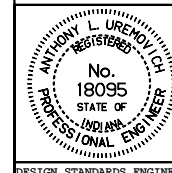


**W-BEAM SPLICE CONNECTION DETAIL  
AT POST FOR NON-SPLICE CONNECTIONS**

INDIANA DEPARTMENT OF TRANSPORTATION

**W-BEAM  
GUARDRAIL ASSEMBLIES**  
SEPTEMBER 1998

STANDARD DRAWING NO. **E 601-WBGA-03**



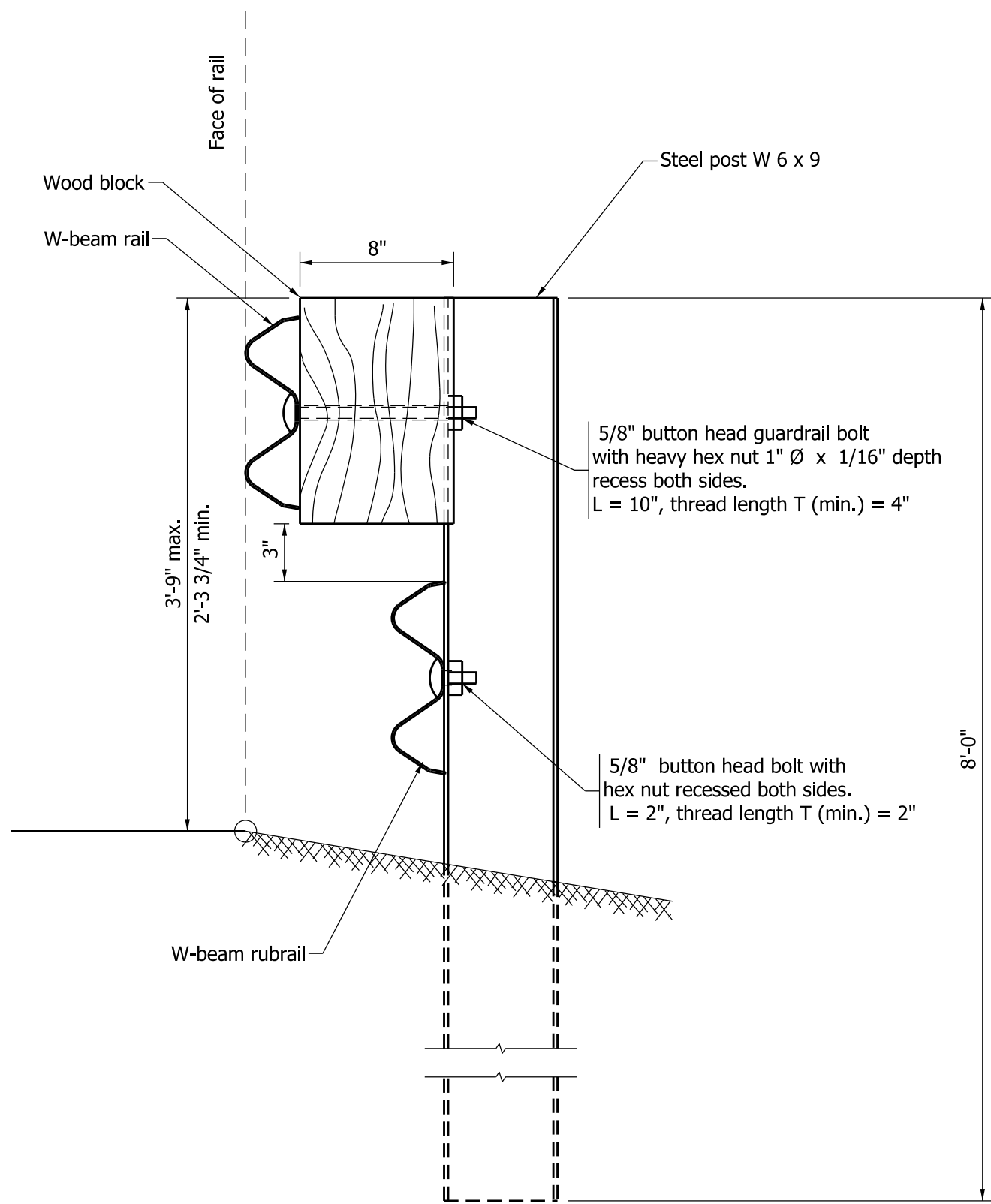
DETAILS PLACED IN THIS FORMAT 11-15-99

*/s/ Anthony L. Uremovich* 11-15-99  
DESIGN STANDARDS ENGINEER DATE

*/s/ Firooz Zandi* 11-15-99  
CHIEF HIGHWAY ENGINEER DATE

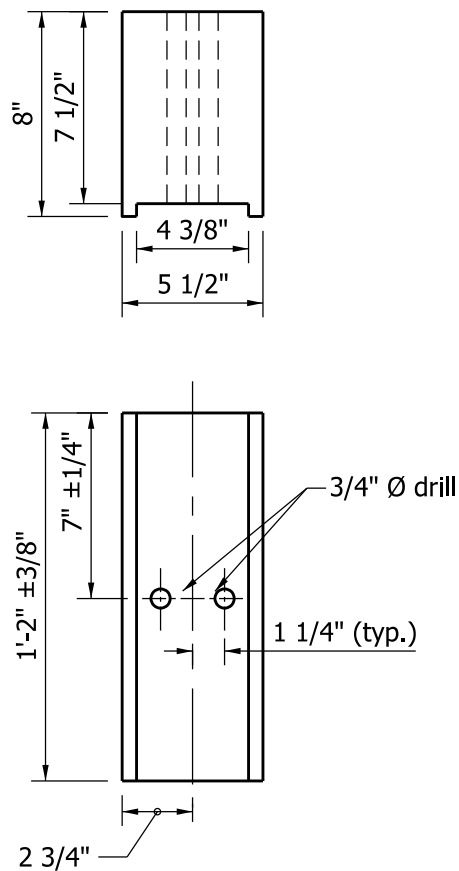
DESIGN STANDARDS ENGINEER

ORIGINALLY APPROVED 9-01-98

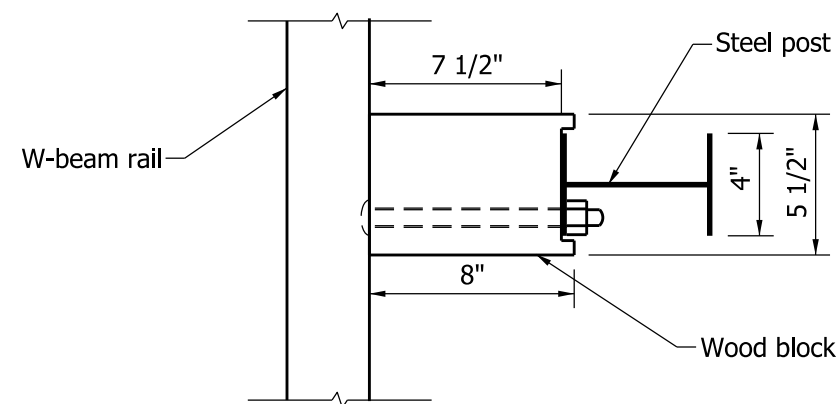


**ELEVATION**

**STEEL POST AND WOOD BLOCK DETAIL FOR WR-BEAM GUARDRAIL**



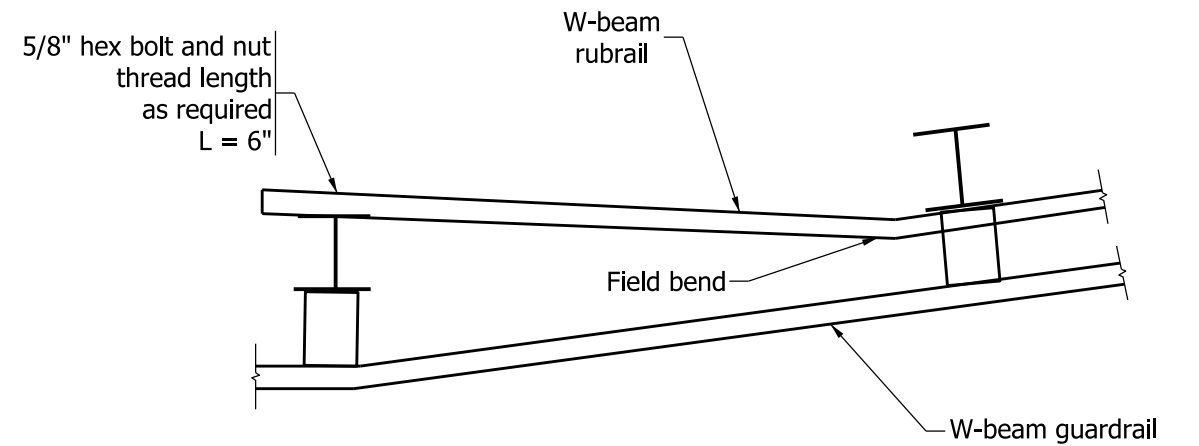
**WOOD BLOCK**



**PLAN**

**NOTE:**

1. All posts shall be 8'-0" length and spaced at 6'-3".



**RUBRAIL TERMINATION DETAIL**

INDIANA DEPARTMENT OF TRANSPORTATION	
WR-BEAM GUARDRAIL	
SEPTEMBER 2011	
STANDARD DRAWING NO.	E 601-WBGA-06
	/s/ <i>Richard L. VanCleave</i> 09/01/11
	DESIGN STANDARDS ENGINEER      DATE
DESIGN STANDARDS ENGINEER	/s/ <i>Mark A. Miller</i> 09/01/11
	CHIEF HIGHWAY ENGINEER      DATE